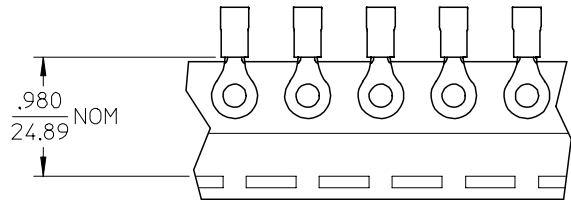
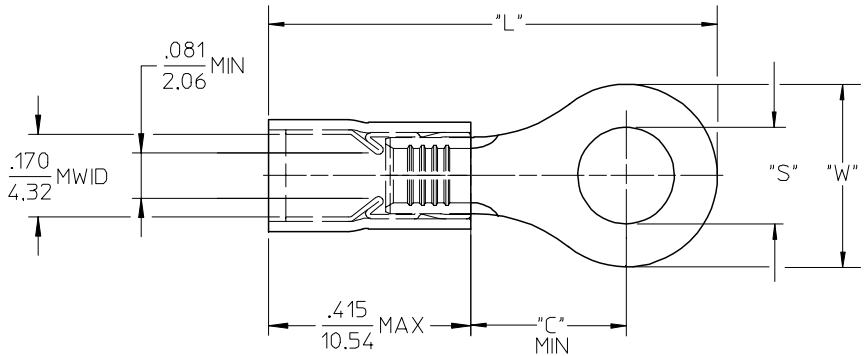


19073

MATERIAL NUMBER	ENG. NO.	MATERIAL NUMBER TAPE MOUNTED	ENG. NO.	STUD SIZE	"S" ±.005	"W" MAX	"C" MIN	"L" MAX
190730081	BB-837-04	-----	-----	04	.119 (3.02)	.322 (8.18)	.285 (7.24)	.885 (22.48)
190730083	BB-837-06	190730084	BB-837-06T	06	.146 (3.71)			
190730085	BB-837-08	190730086	BB-837-08T	08	.173 (4.39)			
190730087	BB-837-10	190730088	BB-823-10T	10	.198 (5.03)			
190730302	BB-839-06	190730093	BB-839-06T	06	.146 (3.71)	.352 (8.94)	.310 (7.87)	.936 (23.77)
190730094	BB-839-08	190730096	BB-839-08T	08	.173 (4.39)			
190730097	BB-839-10	190730099	BB-839-10T	10	.198 (5.03)			



SALES DRAWING

- NOTES:
1. MATERIAL: COPPER (.031/0.79) THICK  
PLATING: ELECTROPLATE TIN
  2. FERRULE: TIN-PLATED BRASS
  3. INSULATION: BLUE NYLON
  4. MWID=MAXIMUM WIRE INSULATION DIA.
  5. ALL DIMENSIONS IN INCHES (MM).
  6. WIRE SIZE: 16-14 AWG  
1.0-2.5 MM<sup>2</sup>

EC NO: ETC2004-0123 DRWN:DMYRICK 2004/01/05 CHKD:SBEITZEL 2004/01/05 APPR:RDEROSS 2004/01/06	QUALITY SYMBOLS	GENERAL TOLERANCES (UNLESS SPECIFIED)	SCALE 4:1	DESIGN UNITS INCH	THIRD ANGLE PROJECTION	REVISE ON CAD ONLY															
	DESCRIPTION ▼ = 0 ▽ = 0	<table border="1"> <thead> <tr> <th></th> <th>mm</th> <th>INCH</th> </tr> </thead> <tbody> <tr> <td>4 PLACES</td> <td>± ---</td> <td>± ---</td> </tr> <tr> <td>3 PLACES</td> <td>± ---</td> <td>± .005</td> </tr> <tr> <td>2 PLACES</td> <td>± 0.13</td> <td>± .01</td> </tr> <tr> <td>1 PLACE</td> <td>± 0.25</td> <td>± ---</td> </tr> </tbody> </table>		mm	INCH	4 PLACES	± ---	± ---	3 PLACES	± ---	± .005	2 PLACES	± 0.13	± .01	1 PLACE	± 0.25	± ---	DIMENSION STYLE IN/MM	TITLE	RING TONGUE TERMINAL AVIKRIMP, 800-SERIES 16-14 AWG	
			mm	INCH																	
		4 PLACES	± ---	± ---																	
3 PLACES	± ---	± .005																			
2 PLACES	± 0.13	± .01																			
1 PLACE	± 0.25	± ---																			
DRAFT WHERE APPLICABLE MUST REMAIN WITHIN DIMENSIONS	APPROVED BY RDEROSS	DATE 03/12/15	CHECKED BY SBEITZEL	DATE 03/12/15	MATERIAL NO. SEE CHART	DOCUMENT NO. SD-19073-006															
REV	THIS DRAWING CONTAINS INFORMATION THAT IS PROPRIETARY TO MOLEX INCORPORATED AND SHOULD NOT BE USED WITHOUT WRITTEN PERMISSION					SHEET NO. 1 OF 1															